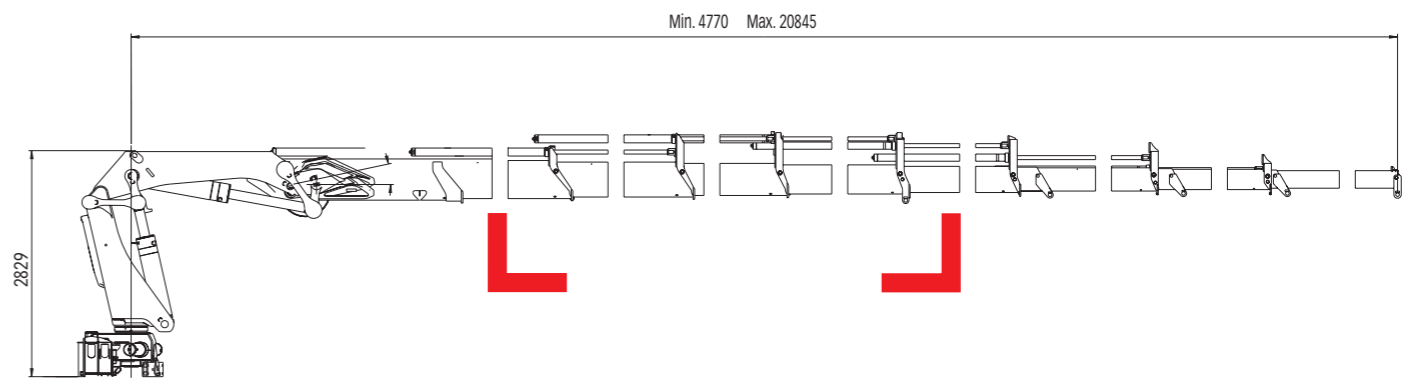
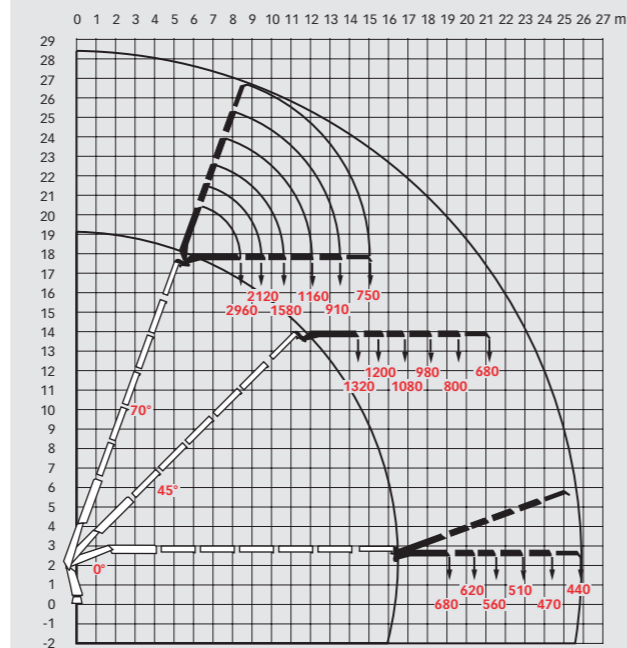
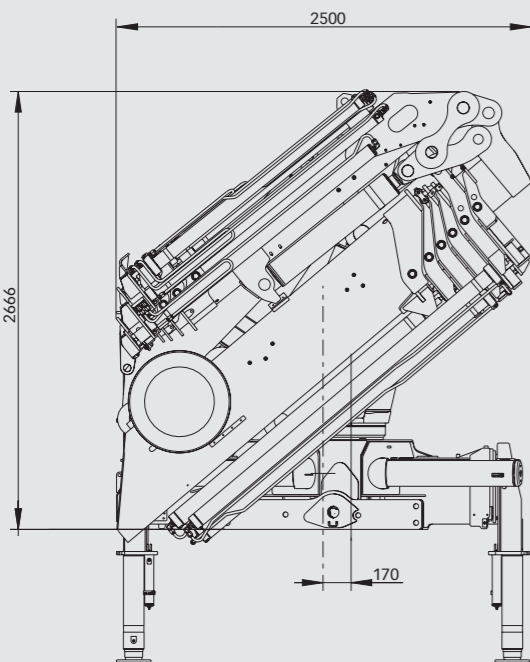
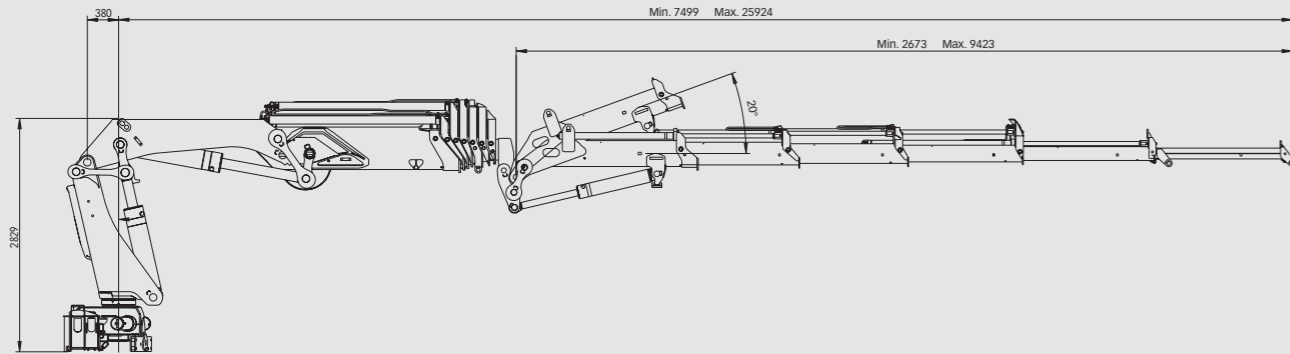


# HIAB XS 422 Basic data

## > HIAB XS 422 E-6 HiPro jib 100X-5



Basic data

### Disclaimer

Hiab cranes have been built to meet the highest standards of safety and service life and have been thoroughly tested. Strength calculations for this model have been carried out in accordance with EN13001. Hiab's certified Quality Assurance System complies with the ISO 9001. Some of the items in our literature may be extra equipment. Certain applications may require an official permit. We reserve the right to change technical specifications without prior notice. Hiab cranes produced for EU-countries are CE-marked and comply with the European Standard EN 12999.

BD-422-EN-EU/05/02/02

[www.hiab.com](http://www.hiab.com)



# HIAB XS 422 Basic data

## Technical data

	EP-5 CL	EP-5 HiDuo	E-6 HiPro	E-8 HiPro
Max. lifting capacity (kNm)	318	365	367	355
Outreach - hydraulic extensions (m)	15.4	15.4	16.5	20.8
Outreach - manual extensions (m)	-	-	20.2	23.0
Outreach - Jib (m)	-	-	25.9	-
Outreach / Lifting capacity, standard (m / kg)	2.8 / 11100	3.0 / 12000	3.0 / 12000	2.9 / 12000
	4.9 / 6600	4.9 / 7600	4.9 / 7600	4.8 / 7500
	6.8 / 4550	6.8 / 5300	6.5 / 5500	6.4 / 5300
	8.8 / 3400	8.8 / 3950	8.4 / 4050	8.2 / 3900
	11.0 / 2620	11.0 / 3100	10.2 / 3200	10.1 / 2960
	13.2 / 2140	13.2 / 2520	12.2 / 2580	12.1 / 2320
	15.4 / 1820	15.4 / 2160	14.3 / 2160	14.2 / 1880
	-	-	16.5 / 1840	16.4 / 1560
	-	-	-	18.6 / 1340
	-	-	-	20.8 / 1200
Outreach / Lifting capacity, with Jib (m / kg)	-	-	19.2 / 680	-
	-	-	20.2 / 620	-
	-	-	21.5 / 560	-
	-	-	22.8 / 510	-
	-	-	24.3 / 470	-
	-	-	25.8 / 440	-
Slewing angle	400°	400°	400°	400°
Height in folded position (mm)	2503	2503	2404	2490
Width in folded position (mm)	2500	2500	2500	2500
Installation space needed (mm)	1471	1471	1447	1493
Weight - "standard" crane without stabilizers (kg)	4340	4380	4540	4840
Weight - stabilizer equipment (kg)	620 - 830	620 - 830	620 - 830	620 - 830
Weight - jib (kg)	-	-	1070	-

## HIAB XS 422 E-8 HiPro

