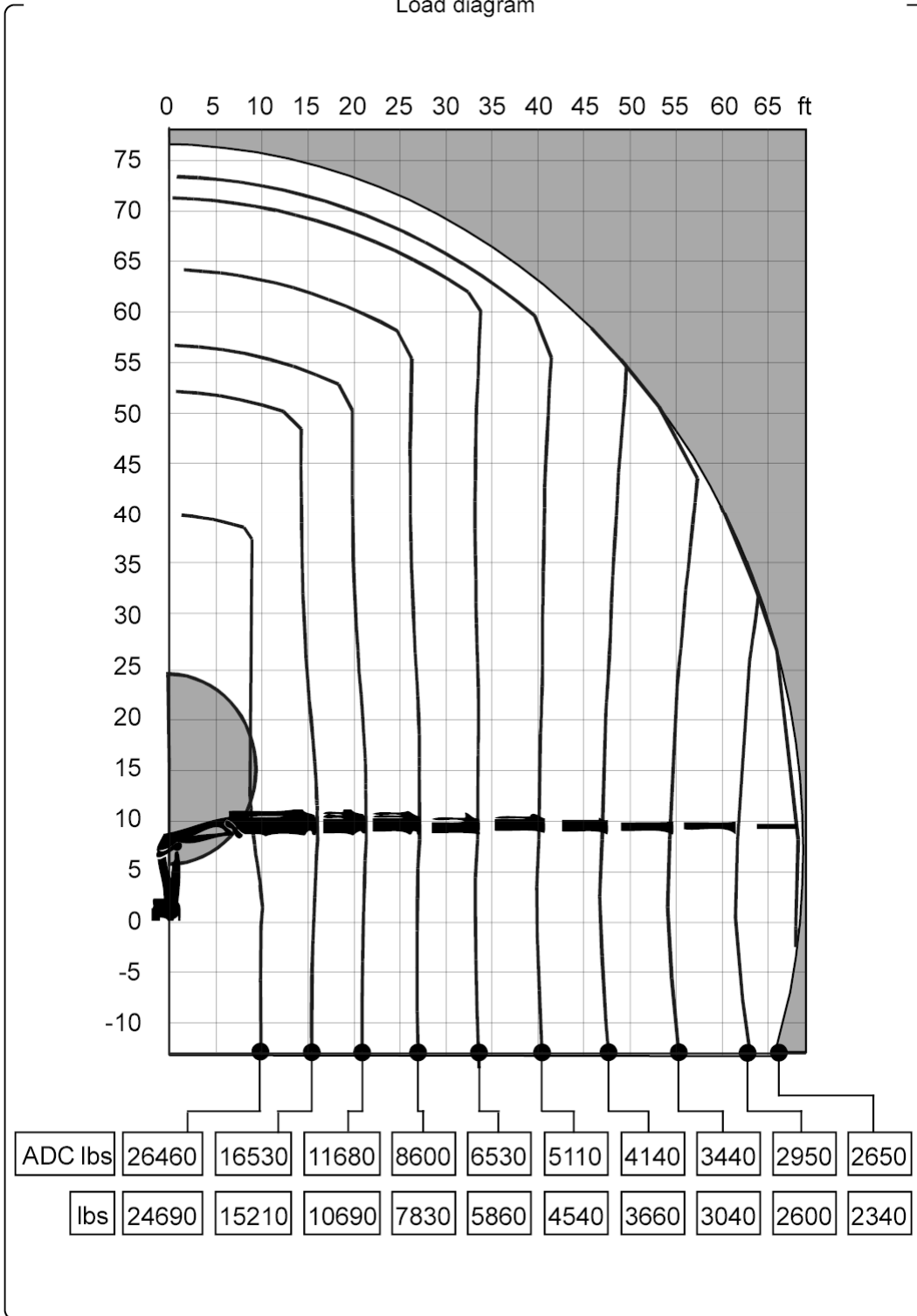


Technical Data

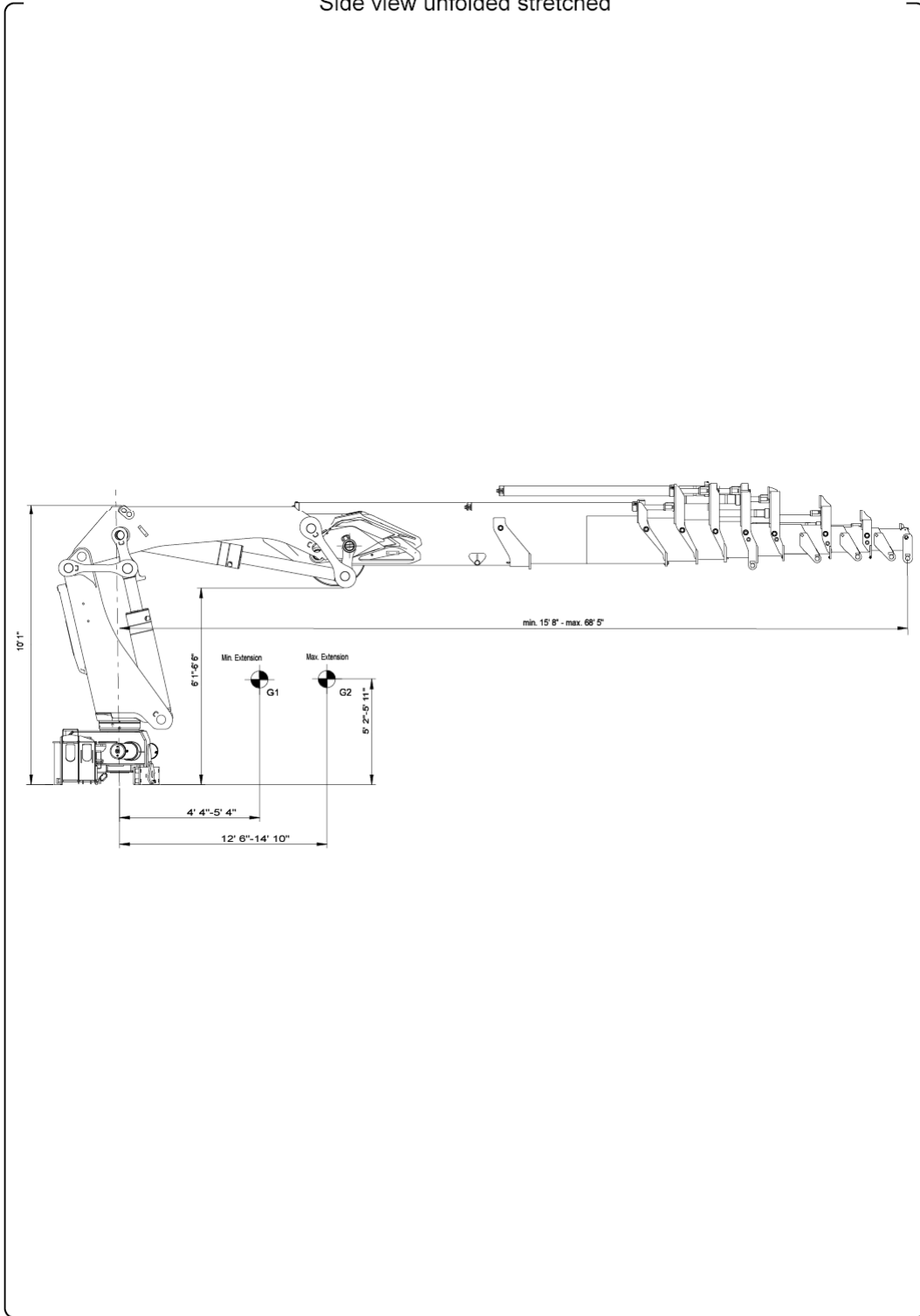
Hiab 422 E-8 HiPro

Version		HIAB 422 E-8 HiPro
Lifting capacity (ADC)	ft-lbs	261 850
Outreach - lifting capacity, standard	ft-lbs.	9' 6" - 26 460
		15' 9" - 16 530
		21' 0" - 11 680
		26' 11" - 8 600
		33' 2" - 6 530
		39' 8" - 5 110
		46' 7" - 4 140
		53' 10" - 3 440
		61' 0" - 2 950
68' 3" - 2 650		
Outreach - lifting capacity, manual extensions	ft-lbs.	75' 6" - 2 250
Hydraulic outreach, standard	ft	68' 3"
Outreach, manual extensions	ft	75' 6"
Lifting height above installation level, hydr/man	ft	77' 1" / 83' 8"
Rec. oil flow	gallon/min	18 - 32
Working pressure	psi	5 080
Oil in tank	gallon	0 - 79
Slewing angle	∅	400 - 400
Max slope viable at full capacity	°	5
Lifting speed at standard hydraulic outreach	ft/s	6' 4"
Height in folded position	"	95
Width in folded position	"	98
Install space required. Rotation area not included	"	59
Install space required with hose and pipe kit	"	59
Weight		
Crane in standard version without support legs	lbs.	10 670
Support leg equipment	lbs.	1 410 - 1 850
Data sheet		
		HIAB 422 E-8 HiPro

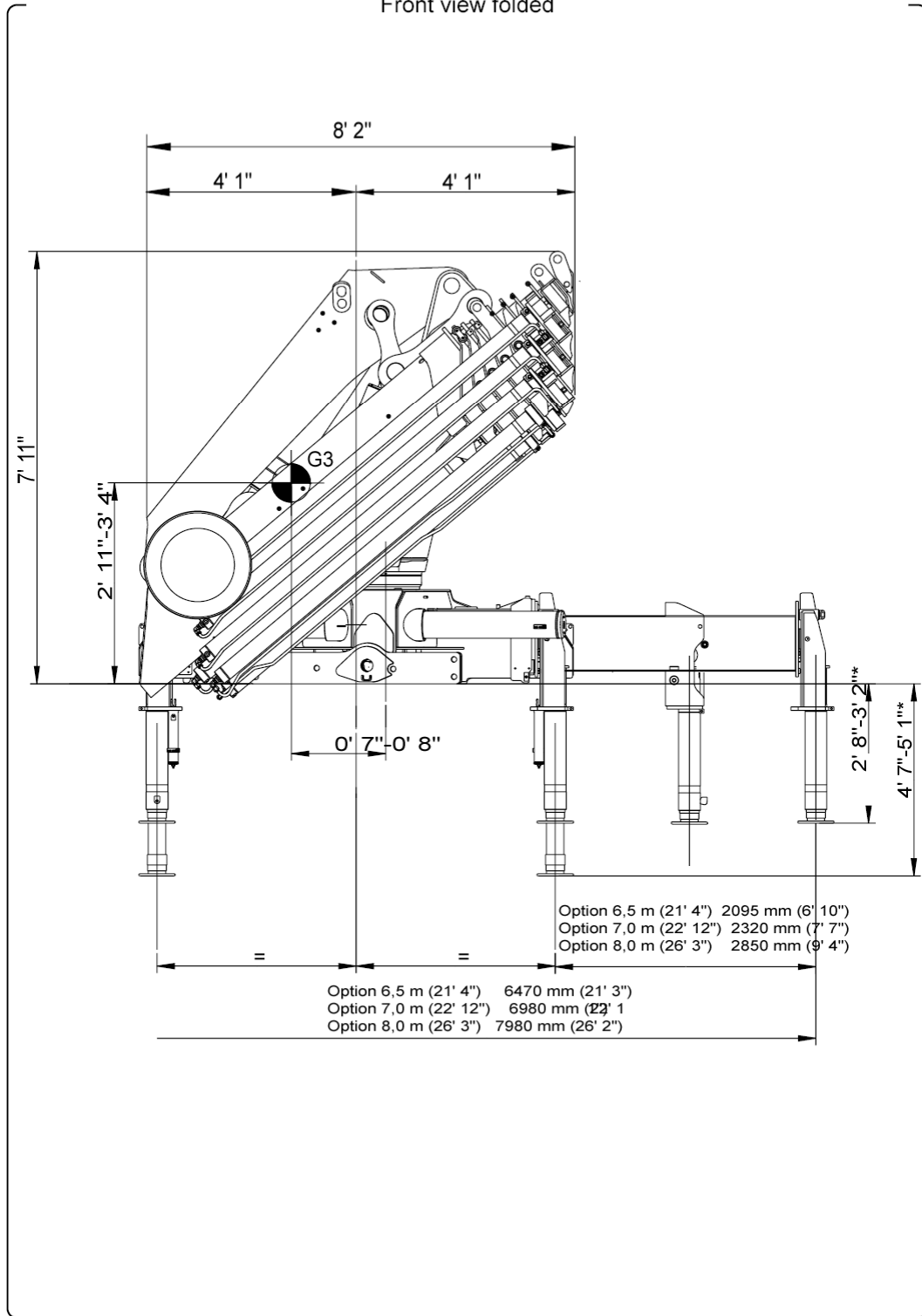
Load diagram



Side view unfolded stretched



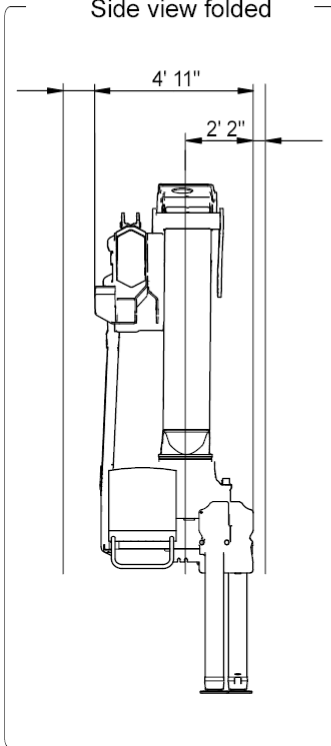
Front view folded



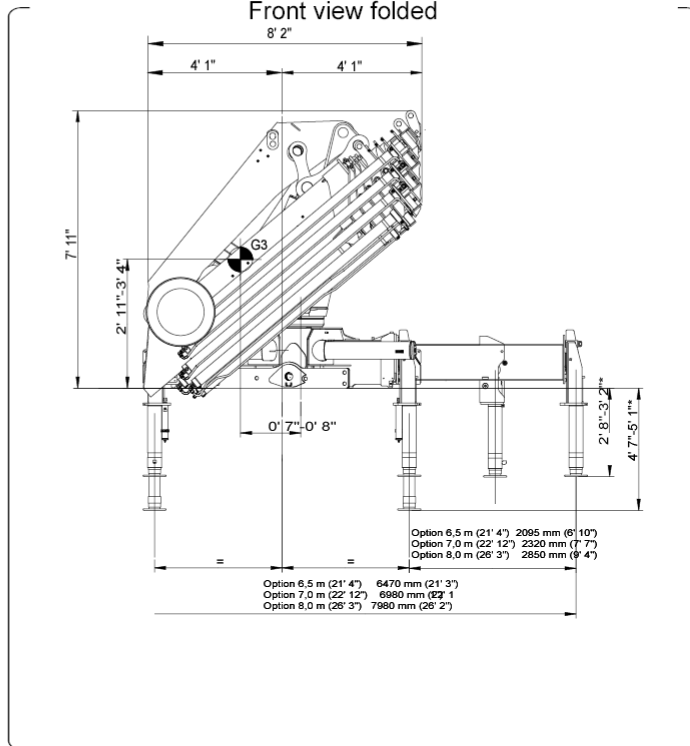
The HIAB XS range



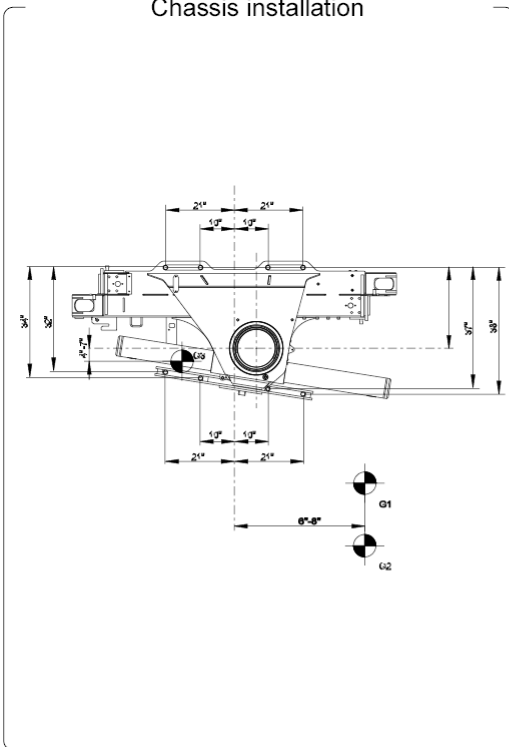
Side view folded



Front view folded



Chassis installation



Top view

